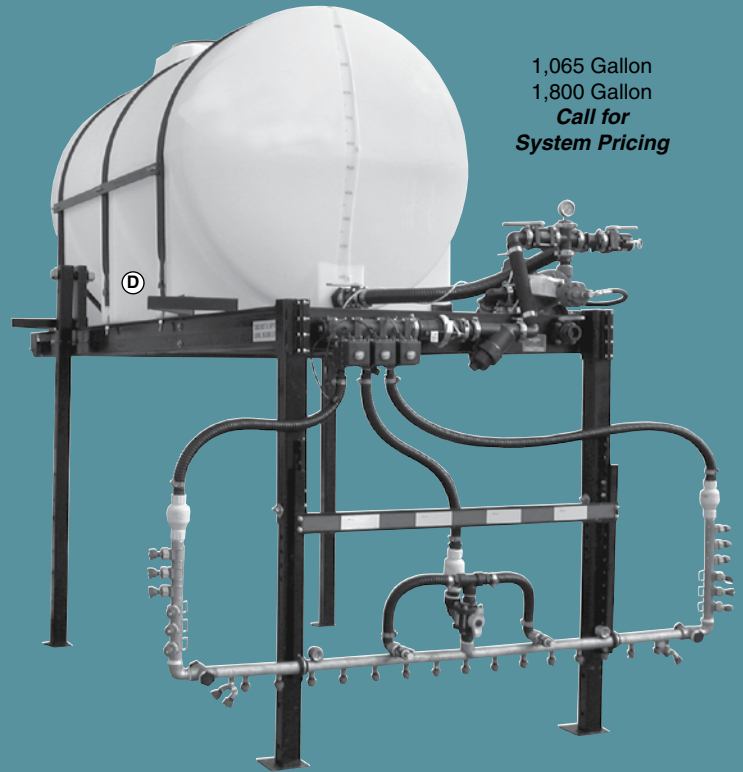


Anti-ice, De-ice & Dust Control Spray Systems

1065 & 1800 Gallon Self-Loading Anti-Ice/De-Ice Spray Systems:

SYSTEM FEATURES:

- Two 900 gallon "twin" tanks on 1,800 gallon system (with double suction) fits tandem axle trucks.
- 1,065 gallon tank system fits single axle trucks.
- Heavy-duty self-loading steel leg frame (Front legs rotate up as truck backs up to load unit; front wheels provide smooth roll-in).
- Individual telescoping rear legs for "bind-free" lifting.
- Adjustable height **stainless steel** boom with high-flow solid stream nozzles (spray 1, 2 or 3 lanes at once). Flooding nozzles also included for center lane.
- High flow hydraulic-drive pump; engine-drive pumps also available.
- **Raven DCS 400 or 410 Automatic Rate Control System.** Pre-programmable with up to six or ten application rates.
- Precise application rate in Gals/Lane-Mile; automatically maintains preset rate regardless of speed changes or the number of lanes being sprayed.
- Plumbed with polypropylene **flanged** fittings, drain/fill valve, strainer and check valves for quick & easy maintenance.
- Also great for dust control, watering subgrades & other uses.



1,065 Gallon
1,800 Gallon
**Call for
System Pricing**

PLANNING A LIQUID DE-ICING OPERATION?

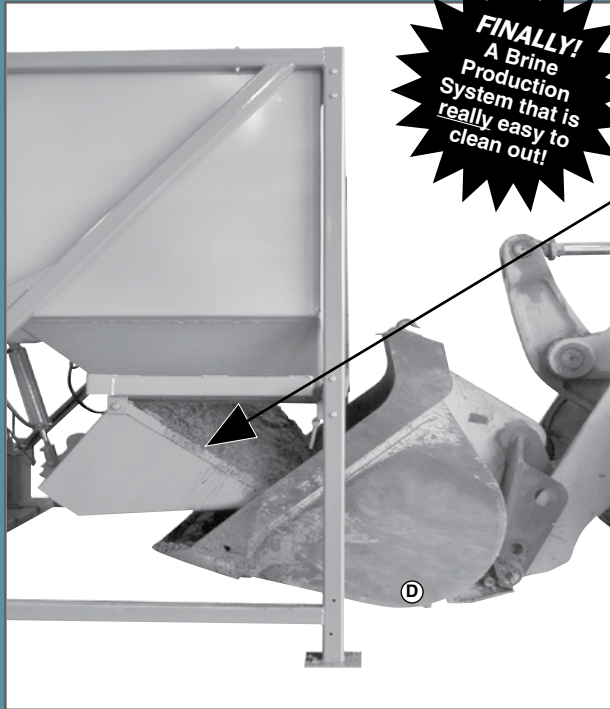
- Brine Production Systems
- Anti-Ice/De-Ice Spray Systems
- Pre-Wet Systems
- Storage Tanks
- Transfer & Sprayer Pumps
- Plumbing, Valves, Controls & Thousands of components!
Everything you need to set up your complete operation!



CONTACT INFORMATION:
Carolina Industrial Equipment
P.O. Box 667907
Charlotte, NC 28266
800-476-2434

Brine Production System

T3000: Ultra-Easy Clean Out



FINALLY!
A Brine Production System that is really easy to clean out!

- **Cleans Completely in 10-15 Minutes!**

Easy clean-out is the #1 request of experienced brine users. The 3000's self-contained hydraulic control system rotates the lower tank **and** trash screen, cleaning both the salt pile and sediment, funneling all debris right into your loader bucket! No shoveling required! No need to remove your bucket like other systems require for cleanout!

- **Large Capacity, High Volume Production**

6-1/4 Cu. Yd. stainless steel salt hopper. Hopper is 10' wide across the front to handle large loader buckets. 3 HP stainless pump. Produces over 4,000 gallons per hour!

- **Versatile Plumbing**

Utilizes 2" polypropylene fittings for excellent corrosion resistance. Designed for recirculation, salinity adjustment and loadout.

- **Heavy-Duty Construction**

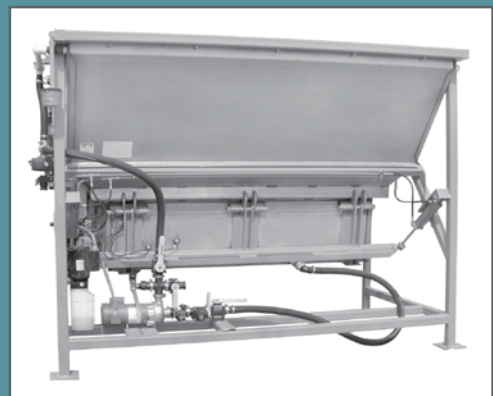
Salt hopper and brine tank are constructed of **10 gauge 304 stainless steel!** Skid frame is constructed of 3" x 3" x 3/16" stainless **structural** square tubing.



T3000
Brine Production
System

PATENT PENDING

Back View: Heavy Duty Skid Frame (3" Stainless Structural Square Tubing) can be moved easily by a loader with forks or lifted.



Master control panel includes lockout, 24V transformer and waterproof switches for safety and automatic or manual operation.

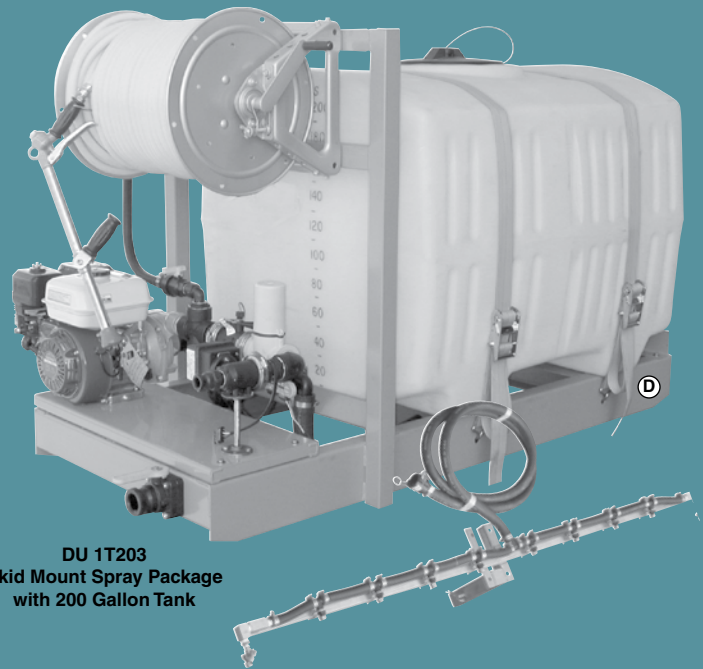


Skid Mount Spray Systems for Small Trucks

Versatile Skid Mount Sprayer Packages for Anti-Ice/De-Ice/Weed Spraying

SYSTEM FEATURES:

- The compact, heavy-duty welded steel skid frames are made to fit in tight spaces including pickup beds.
- Powder coat paint finish on 200 & 300 gallon models for excellent durability & chemical resistance.
- Skid-Mount Sprayers featuring Hypro 1537 centrifugal pump (1-1/2" x 1-1/4") close-coupled to a 5.5 HP Honda engine (80 GPM at 40 PSI; 30 GPM at 70 PSI).
- 200, 300 or 500 gallon tanks with vented top lids & molded-in gallonage markers. (300 Gallon Tanks include stainless steel baffle).
- Hannay 1500 Series manual hose reel with 300' of 1/2" 600 PSI hose and 17" adjustable spray gun (Hypro 3381-10). Great for winter anti-ice/deicing of sidewalks and other tight places, and for summer weed spraying.
- All necessary plumbing including 2" drain-fill valve, 1-1/2" suction, bypass with relief valve & jet agitation system.
- Complete control systems included. See *below*.



DU 1T203
Skid Mount Spray Package
with 200 Gallon Tank

	UNIT	Length	Width	Height
Sprayer Dimensions:	200 Gal.	72"	34"	50"
	300 Gal.	93"	34"	50"
	500 Gal.	96"	40"	57"

Model No.	Description
DU 1T202	Package Complete: Skid Mount Sprayer Complete w/ 200 Gal. Tank, Manual Hose Reel, PB80R 80" Boom Complete and *Standard Rate Control System Complete
DU 1T202A	Same as above with 300 Gal. Skid Mount Sprayer.
DU 1T202B	Same as above with 500 Gal. Skid Mount Sprayer.
DU 1T203	Package Complete: Skid Mount Sprayer Complete w/ 200 Gal. Tank, Manual Hose Reel, PB80R 80" Boom Complete and **Automatic Rate Control System Complete.
DU 1T203A	Same as above with 300 Gal. Skid Mount Sprayer
DU 1T203B	Same as above with 500 Gal. Skid Mount Sprayer
DU 1T204	Package Complete: Skid Mount Sprayer Complete w/ 200 Gal. Tank, 3-Lane Stainless Boom, 3 On/Off Valves & 9 HP Pump. Also includes **Automatic Rate Control System Complete.
DU 1T204A	Same as above with 300 Gal. Skid Mount Sprayer
DU 1T204B	Same as above with 500 Gal. Skid Mount Sprayer

* The Standard Rate Control System includes in-cab console (Spray Systems 744), regulating valve and 1" full port boom on/off valve. This is a "pressure based" control system.

** The Automatic Rate Control System includes in-cab console (Raven DCS400), GPS speed sensor, 1-1/2" flow meter, regulating valve and 1" full port boom on/off valve. This is a "ground speed" oriented control system.

OPTIONS

Description

12V Electric Hose Reel (Hannay).

Electric Start Engines & 12V Battery Holder with cables (Battery sold separately).

PB80R-SS 80" is the same boom in stainless steel.

Note: For Anti-ice/De-ice spraying, the 202 & 203 systems will cover one lane at up to 55 Gallons Per Lane-Mile at 30 MPH or up to 30 Gallons per Lane-Mile at 55 MPH. DU PB80R boom covers approximately 10'-12' width. Other booms also available.

More Self-Loading Spray Systems & Booms

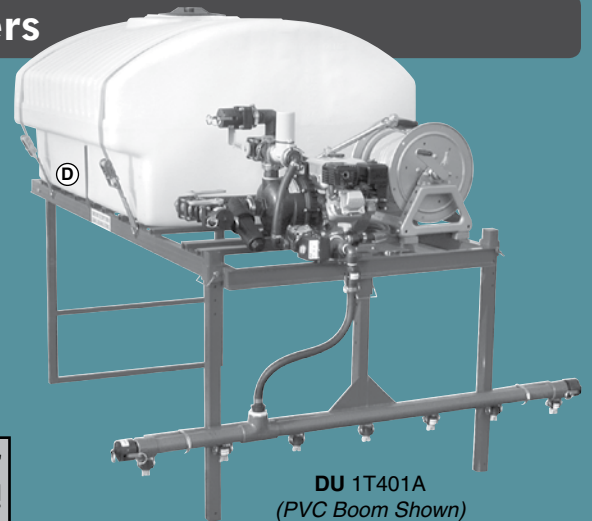
Self-Loading Anti-Ice / De-ice Sprayers

400 Series for Small Trucks & Pickups 325 & 475 Gallon Models

These Anti-ice/Deice Sprayers can be quickly and easily loaded and unloaded into standard 8' pickup beds by one person. No forklifts required! They include steel frames with a tough powder-coat paint finish, rotating front legs and telescoping rear legs. They also feature low profile tanks, 2" self-priming polypropylene pump, *Raven* SCS203 rate control system, *Hannay* manual hose reel with 150' of 1/2" high pressure hose, 17" adjustable pattern spray gun and a stainless steel boom. A 1" digital in-line meter is also included so you can see exactly how much deicing product you have used on each job. Great for private contractors and government agencies! Approximately 9'6" long, 48" wide, 34" high (325 gal.), 38" high (475 gal.).

Part No.	Description
DU 1T400A	325 Gallon Sprayer with Stainless Boom
DU 1T401A	475 Gallon Sprayer with Stainless Boom

**Call for
Pricing!**



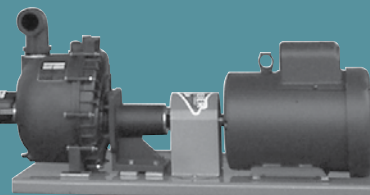
DU 1T401A
(PVC Boom Shown)

Build Your Own Brinemaker

DU T1700C Brine Production Kit



- 1700 Gallon open top poly tank with 4" clean-out.
- 30 Gallon cone bottom poly tank (pump feed).
- 3 HP 2" self-priming brine pump unit.
- Auto control panel with brine pump flow switch (see below).
- Kit comes ready to assemble.
- High capacity yet economical.
- 2" Plumbing kit also included.



CONTACT INFORMATION:
Carolina Industrial Equipment
P.O. Box 667907
Charlotte, NC 28266
800-476-2434